



# XC4140

Compact workgroup color A4  
multifunction device



Affordable  
in-house  
color production



Productivity  
boosting speed,  
functionality  
and reliability



Workflow  
smoothing  
solutions  
and flexibility



Sensitive data  
stays secure



Cut costs  
while being  
environmentally  
responsible



Lexmark™

# Get more power and save money



Get the business-friendly color and features you need in a straightforward package with the Lexmark XC4140.

- ▶ Brilliant color in an affordable, space-saving device
- ▶ Up to 40 pages per minute† print speeds
- ▶ Spend less time on supplies with high-yield toner capacity and shake-free science
- ▶ Expandable universal input trays

## Speed for productivity with the functionality and reliability you need

**Productivity stays high** when even large color print jobs complete quickly. Thanks to print speeds of up to 40 ppm.

**Minimize wait time** with XC4140's ability to print a single color page in as little as 6 seconds. Convenient direct printing from flash drives, network drives or online servers save you even more time.

**Power through** complex print jobs with large, high-resolution photos and graphics. The powerful print controller has the processing power you need built-in.

**Digital workflows and paper documents** won't slow you down. The XC4140 scans up to 60 ipm, combined with the powerful quad-core processor, your information is captured and made available to you and your network applications fast.

**Work from wherever, print where you want** with mobile printing from iOS, Android and Windows Mobile devices and optional wireless and NFC direct mobile printing from smartphones and tablets. The XC4140 is also Google Cloud Print, Apple Airprint 1.5 and Mopria ready.

**Better access for all** with the tilting eTask panel that makes the interface viewable for users at all heights, drawers and paper guides that move effortlessly, and standard headphone jack and talk-back features to help users with limited vision engage with the device‡.

† Print and copy speeds measured in accordance with ISO/IEC 24735 respectively (ESAT). For more information see: [www.lexmark.com/ISOspeeds](http://www.lexmark.com/ISOspeeds).  
‡ Meets advanced Section 508 and European Standard EN 301 549 guidelines for accessibility.



## Look sharp for less with gorgeous color and professional finishing

### Color so accurate and affordable, you can print color in-house.

You can match all of your brand colors and have accurate color output without having to pay a premium. Lexmark Color Replacement combines spot color replacement and RGB replacement for precision matching of critical colors. PANTONE® calibration and embedded color sample pages to help you nail perfect color at the design stage. Lexmark Color Replacement combines spot color replacement and RGB replacement for precision matching of critical colors. Lexmark's 4800 color quality is ultra-sharp even at full speed.

**Less hands on hassle with a high input capacity** with up to 2,300 sheets of input capacity, paper is less likely to run out, so you don't have to wait or intervene to finish printing.

### Improve your productivity with the XC4140 that keeps on running

- ▶ Toner cartridges yield up to 20,000 pages
- ▶ Photoconductor, developer, and fuser last up to 150,000 pages
- ▶ No shake Unison™ Toner cartridges mean perfect prints to the last page without interruption

## Advanced scanning technology

Connect your digital systems to your unstructured content with ease. The advanced scanning technology on the XC4140 makes it fast and hassle-free.

- ▶ Improve scanning productivity and capture efficiency by reducing the time involved in manual document preparation and automatically enhancing the quality of scanned images with the Lexmark VirtualReScan (VRS) integration option<sup>§</sup>
- ▶ Scan a stack of mixed sized originals at full speed
- ▶ Keep things fast and file sizes small with color detection that scans in mono if no color is found
- ▶ Achieve accurate, high resolution images with Charged Coupled Device (CCD) sensors and four-piece optical glass lenses
- ▶ Don't waste time restarting a job. Page-level jam recovery picks up where the job left off

<sup>§</sup> Virtual ReScan integration with Lexmark TotalAgility



## Workflow smoothing solutions

Bridge the gap between your paper documents and software systems with the fully-configurable device-based apps. The built in productivity solutions future-proof your investment.

Standard device-based apps shipping with this series include<sup>1</sup>:



### Forms and Favorites

Keep frequently used forms and documents easy to access and save money by eliminating preprinted forms.



### Address Book

Manage the device's internally stored user data, contacts and scan destinations from the e-Task touch screen or the embedded web server.



### Card Copy

Capture both sides of ID/credit cards, print on one side of paper and save to a network folder.



## See the possibilities with our intuitive interface

Minimize the need for training with the familiar modern tablet-like capabilities of our eTask interface on a bright 7-inch class color touch screen. Use swipe and touch gestures to navigate the intuitive interface to access convenient features, including:

- ▶ Preview your entire print job
- ▶ Print Microsoft Office and other file types from USB or mobile devices
- ▶ Customizable shortcuts and bookmarks
- ▶ Realize your return on investment with true integration
- ▶ Access corporate address book for quick document routing
- ▶ Enable user tracking, accounting and permissions for cost and print management

<sup>1</sup> Additional device-based apps may ship with the device and additional apps can be added.

# XC4140



**1. Intuitive color touch screen with new eTask interface** A bright 7-inch screen uses familiar swipe and touch gestures, minimizing training time to get users up to speed.



**2. Direct printing** Microsoft Office files and other document and image types print right from flash drives. You can even preview jobs on the eTask screen prior to printing.



**3. Unison™ Toner system with long-life supplies** Unison™ Toner delivers consistently outstanding image quality plus long-life system reliability and amazing sustainability in a high-yield, no-shake design.



**4. Software solutions** Combine device based capabilities with additionally purchased Lexmark fleet management tools and your existing software and technical infrastructure to form the Lexmark smart MFP ecosystem. Its adaptability future-proofs your investment in Lexmark color laser technology.



**5. Expandable input** Print on multiple paper types and boost input capacity to 2,300 sheets

## Sensitive data stays secure

**Authorize and authenticate** who and what gets access to your network along with remote monitoring and management.

**Protect your device on all fronts** with port and connection filtering to limit active access and encryption and wiping of the optional hard disk to secure sensitive print job data. Digital signatures on firmware updates keep hackers at bay.

**Authentication to fit your protocols** from badge readers, PIN or passwords. Once users are authenticated the connect to your network is fully secure. If user authentication fails the eTask panel shuts down to protect your device settings.

## Cut costs while being environmentally responsible

**Save power** with multiple power saving modes. Sleep mode uses less than 3 watts between jobs. Hibernate mode uses less than half a watt during scheduled on/off periods.

**Save paper and toner with no hassles.** Standard double-sided printing, printing images a lighter shade with the ColorSaver feature that still leaves text dark and readable and Lexmark's Eco Copy solution are just some of the eco-friendly options.

**Smarter toner saves energy and more.** Lexmark Unison™ Toner fuses at a lower temperature that requires less energy. Through the free and easy Lexmark Cartridge Collection Program (LCCP), ship empty cartridges back to our recycling centers for sustainable recycling.



### Lexmark Sustainability

For Lexmark, commitment to the environment isn't a marketing tagline, it's a core value backed up by real action and results. We are forward thinking, innovative, and driven to sustain a healthy planet for generations to come. For our customers and partners we bring this passion, our leading technology and a deep understanding of industry-specific business processes to continuously improve their efficiency as well as our own.

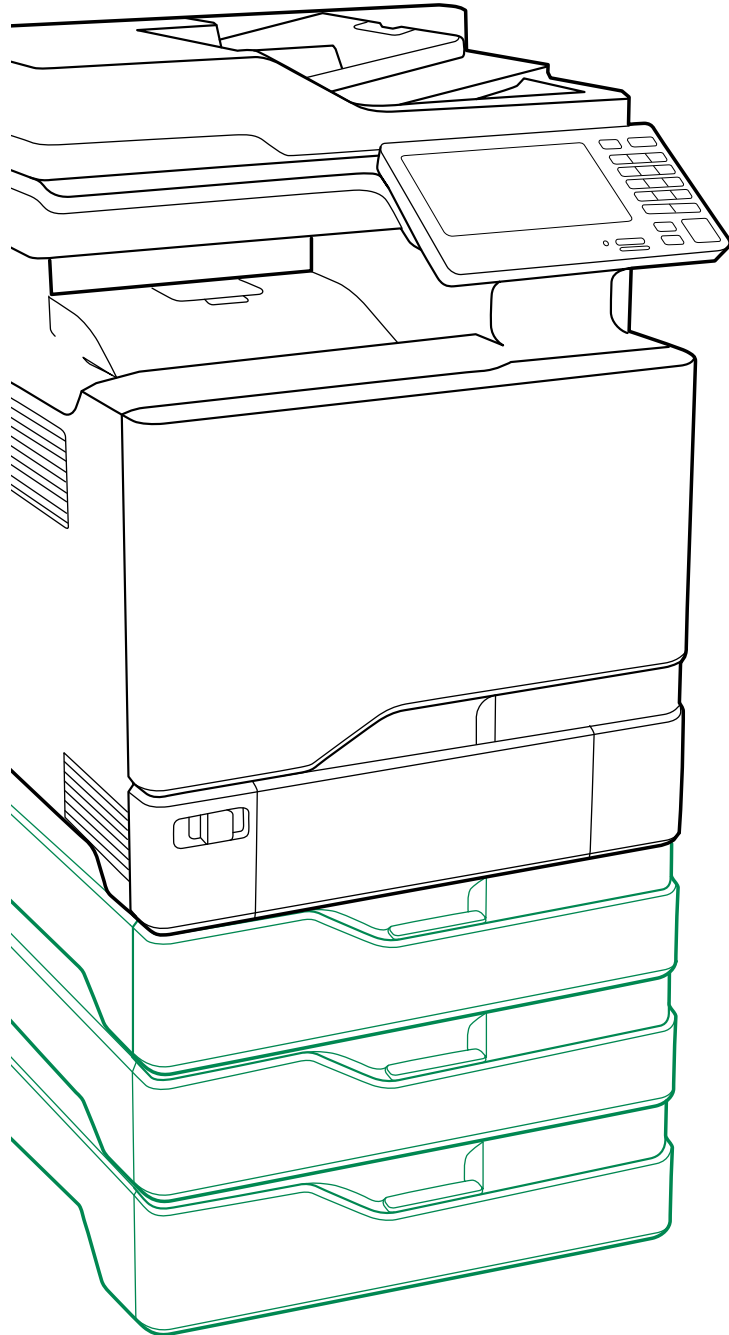
Lexmark products meet globally recognized environmental standards\*\*.

- ▶ Energy Star™
- ▶ Blue Angel compliant
- ▶ EPEAT™

For more information on Lexmark's sustainability initiatives, visit [csr.lexmark.com](http://csr.lexmark.com)

\*\* Energy Star V2.0 for Imaging Equipment (EU RoHS and Section 4.3.1.1 of IEEE 1680.2-2.)

## Ordering information



### P/N

40C9720

### Hardware

Lexmark XC4140

### P/N

24B6720  
24B6717  
24B6718  
24B6719  
74C0ZK0  
74C0ZV0  
74C0W00

### Laser Toner/Print Cartridge

XC4140 Black Toner Cartridge  
XC4140 Cyan Toner Cartridge  
XC4140 Magenta Toner Cartridge  
XC4140 Yellow Toner Cartridge  
Black Return Program Imaging Unit  
Color (CMY) Return Program Imaging Kit  
Waste Toner Bottle

### P/N

40C2100

### Paper Handling

550-Sheet Tray

### P/N

40C2300

### Furniture

Adjustable Stand

### P/N

57X9020  
57X9801  
57X9814  
57X9815  
57X9812  
57X9810

### Memory Options

2GB x32 DDR3 RAM  
256MB Flash Memory Card  
Korean Font Card  
Japanese Font Card  
S. Chinese Font Card  
T. Chinese Font Card

### P/N

40C9201  
40C9200  
40C9202  
57X0300  
57X0301

### Application Solutions

Card for IPDS  
Forms and Bar Code Card  
Card for PRESCRIBE  
Front Contact Authentication Module  
Front Contactless Authentication Module

### P/N

1021294  
27X0803  
SPD0001  
SPD0002  
57X7025

### Connectivity

2-meter USB cable (RoHS)  
MarkNet N8360 802.11 Wireless w/NFC  
Surge Protective Device, 110-120V  
Surge Protective Device, 220-240V  
Voice Guidance Kit

### P/N

41X0917  
41X0956  
41X0554  
41X0556  
41X0252  
41X0253  
41X0374

### User Replaceable Parts

ADF Separator Roll  
Pick Roller  
Fuser Maintenance Kit 110-120V  
Fuser Maintenance Kit 220-240V  
Fuser 110-120V  
Fuser 220-240V  
Separator Bracket Assembly

### P/N

40X8736  
40X9929

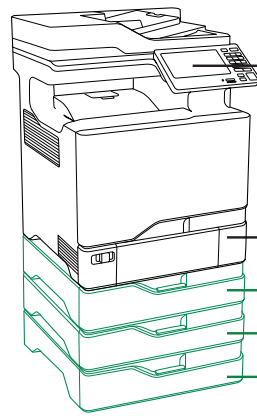
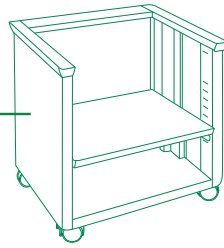
### Service Parts

ADF pick roll  
Image Transfer Unit

# Lexmark XC4140

Adjustable  
Printer Stand

■ Standard  
■ Optional



7-in Color Touch Screen

550-Sheet Input with 100-Sheet Multi-purpose Feeder

550-Sheet Tray

550-Sheet Tray

550-Sheet Tray

Product specifications	Lexmark XC4140
<b>Printing</b>	
Display	Lexmark e-Task 7-inch (17.8 cm) color touch screen
Print Speed: Up to <sup>5</sup>	Black: 40 ppm / Color: 40 ppm
Time to First Page: As fast as	Black: 6.0 seconds / Color: 6.5 seconds
Print Resolution	Black: 1200 x 1200 dpi, 4800 Color Quality (2400 x 600 dpi) / Color: 1200 x 1200 dpi, 4800 Color Quality (2400 x 600 dpi)
Memory	Standard: 2048 MB / Maximum: 4096 MB
Hard Disk	Option available
Recommended Monthly Page Volume <sup>2</sup>	1500 - 15000 pages
Maximum Monthly Duty Cycle: Up to <sup>3</sup>	120000 pages per month
<b>Copying</b>	
Copy Speed: Up to <sup>5</sup>	Black: 40 cpm / Color: 40 cpm
Time to First Copy: As fast as	Black: 7.0 seconds / Color: 8.0 seconds
<b>Scanning</b>	
Scanner Type / ADF Scan	Flatbed scanner with ADF / RADF (Reversing Duplex)
A4/Ltr Duplex Scan Speed: Up to	Black: 26 / 28 sides per minute / Color: 26 / 28 sides per minute
A4/Ltr Simplex Scan Speed: Up to	Black: 56 / 60 sides per minute / Color: 56 / 60 sides per minute
<b>Faxing</b>	
Modem Speed	ITU T.30, V.34 Half-Duplex, 33.6 Kbps
<b>Supplies<sup>7</sup></b>	
Laser Cartridge Yields (up to) <sup>1</sup>	20,000-page Black High Yield Cartridge, 13,000-page Color (CMY) High Yield Cartridges
Imaging Unit Estimated Yield: Up to <sup>6</sup>	150000 pages, based on 3 average letter/A4-size pages per print job and ~ 5% coverage
Cartridge(s) Shipping with Product <sup>8</sup>	7,000-page Black and Color (CMYK) Return Program Toner Cartridges
<b>Paper Handling</b>	
Included Paper Handling	550-Sheet Input, 100-Sheet Multipurpose Feeder, Integrated Duplex, 300-Sheet Output Bin
Optional Paper Handling	550-Sheet Tray
Paper Input Capacity: Up to	Standard: 650 pages 20 lb or 75 gsm bond / Maximum: 2300 pages 20 lb or 75 gsm bond
Paper Output Capacity: Up to	Standard: 300 pages 20 lb or 75 gsm bond / Maximum: 300 pages 20 lb or 75 gsm bond
Media Types Supported	Card Stock, Envelopes, Paper Labels, Plain Paper, Vinyl Labels, Refer to the Card Stock & Label Guide., Banner Paper
Media Sizes Supported	10 Envelope, 7 3/4 Envelope, 9 Envelope, A4, A5, B5 Envelope, C5 Envelope, DL Envelope, Executive, Folio, JIS-B5, Legal, Letter, Statement, Universal, Oficio, A6
<b>General Information<sup>4</sup></b>	
Standard Ports	One Internal Card Slot, USB 2.0 Specification Hi-Speed Certified (Type B), Gigabit Ethernet (10/100/1000), Front USB 2.0 Specification Hi-Speed Certified Port (Type A), Rear Hi-Speed USB Port Compatible with USB 2.0 Specification (Type A)
Optional Network Ports	Internal MarkNet N8360 802.11b/g/n Wireless, NFC
Noise Level: Operating	Print: 52 dBA / Copy: 56 dBA / Scan: 54 dBA
Specified Operating Environment	Humidity: 8 to 80% Relative Humidity, Temperature: 10 to 32°C (50 to 90°F), Altitude: 0 - 2896 Meters (9,500 Feet)
Size (in. - H x W x D) / Weight (lb.)	25.5 x 19.9 x 21 in. / 99 lb.

<sup>1</sup>Yield at approximately 5% print coverage per color. <sup>2</sup>Recommended Monthly Page Volume" is a range of pages that helps customers evaluate Lexmark's product offerings based on the average number of pages customers plan to print on the device each month. Lexmark recommends that the number of pages per month be within the stated range for optimum device performance, based on factors including: supplies replacement intervals, paper loading intervals, speed, and typical customer usage. <sup>3</sup>Maximum Monthly Duty Cycle" is defined as the maximum number of pages a device could deliver in a month using a multishift operation. This metric provides a comparison of robustness in relation to other Lexmark printers and MFPs. <sup>4</sup>Printers are sold subject to certain license/agreement conditions. See [www.lexmark.com/printerlicense](http://www.lexmark.com/printerlicense) for details. <sup>5</sup>Print and copy speeds measured in accordance with ISO/IEC 24734 and ISO/IEC 24735 respectively (ESAT). For more information see: [www.lexmark.com/ISOspeeds](http://www.lexmark.com/ISOspeeds). <sup>6</sup>Actual yield may vary based on other factors such as device speed, paper size and feed orientation, toner coverage, tray source, percentage of black-only printing and average print job complexity. <sup>7</sup>Product functions only with replacement cartridges designed for use in a specific geographical region. See [www.lexmark.com/regions](http://www.lexmark.com/regions) for more details. <sup>8</sup> Average continuous black or continuous composite CMY declared cartridge yield up to this number of standard pages in accordance with ISO/IEC 19798.

© 2015 Lexmark and the Lexmark logo are trademarks of Lexmark International, Inc., registered in the United States and/or other countries. All other trademarks are the property of their respective owners.

ENERGY STAR® is a U.S. registered mark.

AirPrint and the AirPrint logo are trademarks of Apple Inc.

